

Some new exact solutions for a generalized variable coefficients KdV equation



R. Rajagopalan^{a,*}, Abass H. Abdel Kader^b, Mohamed S. Abdel Latif^{b,c}, Dumitru Baleanu^{d,e}, Amr El Sonbaty^{a,b}

^aDepartment of Mathematics, College of Science and Humanities in Alkharj, Prince Sattam Bin Abdulaziz University, Alkharj 11942, Saudi Arabia.

^bDepartment of Mathematics and Engineering Physics, Engineering Faculty, Mansoura University, Mansoura, Egypt.

^cDepartment of Mathematics, Faculty of Science, New Mansoura University, New Mansoura City, Egypt.

^dMathematics Department, Arts and Sciences Faculty, Cankaya University, Ankara 06530, Turkey.

^eInstitute of Space Sciences, Magurele-Bucharest, P. O. Box MG-23, R 76900, Romania.

Abstract

In this paper, the variable coefficients KdV equation with general power nonlinearities is proposed. Firstly, it is transformed into a generalized KdV equation with constant coefficients using a point transformation. Then, the traveling wave transformation is utilized to transform the obtained constant coefficients generalized KdV equation into a generalized ordinary differential equation. We give a classification for the obtained generalized ordinary differential equation using a suitable integrating factor. Some new solutions are obtained for the generalized KdV equation with constant coefficients. All the obtained solutions in this paper for the variable coefficients KdV equation with general power nonlinearities are new.

Keywords: Exact solutions, generalized KdV equation, traveling wave, solitons.

2020 MSC: 35C05, 35C07, 35G20, 35Q53.

©2023 All rights reserved.

1. Introduction

Nonlinear evolution equations play a very vital role in modeling many engineering, physical, and biological phenomena [10, 13, 20, 23]. Many methods have been proposed in the literature for getting exact and approximate solutions to these equations. Examples of these methods are, (G'/G) -expansion method [10, 13], generalized F-expansion Method [23], Lie symmetry analysis method [7, 8, 11, 14, 19], generalized new auxiliary equation method [10-11], the invariant subspace method [3, 4, 15], homotopy perturbation methods [9, 18], and reproducing Kernel Hilbert Space Method [17].

In this paper, we investigate a type of generalized variable coefficients KdV equation with general power nonlinearities and variable coefficients which is given in the following form

$$u_t + f(t) u^n u_x + g(t) u^{2n} u_x + R(t) (u^k (u^m)_{xx})_x = 0, \quad (1.1)$$

*Corresponding author

Email addresses: meraj1768@gmail.com (R. Rajagopalan), leaderabbas87@gmail.com (Abass H. Abdel Kader), m_gazia@mans.edu.eg (Mohamed S. Abdel Latif), dumitru.baleanu@neu.edu.tr (Dumitru Baleanu), sonbaty2010@gmail.com (Amr El Sonbaty)

doi: [10.22436/jmcs.029.01.01](https://doi.org/10.22436/jmcs.029.01.01)

Received: 2021-10-18 Revised: 2022-05-13 Accepted: 2022-06-01

where, k, n, m are constants and $f(t), g(t), R(t)$ are some smooth functions of the variable t . When $f(t) = \text{const}, g(t) = \text{const}, R(t) = 1$, Eq. (1.1) is studied in [20] and some compact solutions, periodic solutions and Jacobi elliptic functions solutions of Eq. (1.1) are obtained when $k + m = n + 1$.

In this paper, we first transform Eq. (1.1) into an equation with constant coefficients. Then we investigate the traveling wave solutions of the resultant equation to get exact traveling wave solutions of Eq. (1.1).

This paper has been organized as follows. In Section 2, we transform the variable coefficients KdV equation (1.1) into itself but with constant coefficients. In Section 3, we use the traveling wave transformation to obtain some new solutions of the variable coefficients KdV equation.

2. Transforming Eq. (1.1) into its constant coefficients equation

Theorem 2.1. *The generalized variable coefficients KdV equation (1.1) can be transformed into the generalized constant coefficients KdV equation*

$$\bar{u}_{\bar{t}} + a\bar{u}^n\bar{u}_{\bar{x}} + b\bar{u}^{2n}\bar{u}_{\bar{x}} + (\bar{u}^k(\bar{u}^m)_{\bar{x}\bar{x}})_{\bar{x}} = 0, \quad (2.1)$$

under the transformation

$$\bar{t} = \int R(t)dt, \bar{x} = x, \quad \bar{u} = u, \quad (2.2)$$

with the constraints:

$$f(t) = a R(t), \quad g(t) = b R(t),$$

where a, b are arbitrary constants.

Proof. The transformation (2.2) leads to the change of variables

$$\frac{\partial}{\partial t} = R(t) \frac{\partial}{\partial \bar{t}}, \quad \frac{\partial}{\partial x} = \frac{\partial}{\partial \bar{x}}. \quad (2.3)$$

Applying the operators (2.3) to the function $\bar{u}(\bar{x}, \bar{y}, \bar{t})$, we obtain

$$\frac{\partial \bar{u}}{\partial t} = R(t) \frac{\partial \bar{u}}{\partial \bar{t}}, \quad \frac{\partial \bar{u}}{\partial x} = \frac{\partial \bar{u}}{\partial \bar{x}}, \quad \frac{\partial^3 \bar{u}}{\partial x^2} = \frac{\partial^3 \bar{u}}{\partial \bar{x}^2}.$$

Using (2.2), we can get

$$u_t = R(t) \frac{\partial \bar{u}}{\partial \bar{t}}, \quad u_x = \bar{u}_{\bar{x}}, \quad u_{xx} = \bar{u}_{\bar{x}\bar{x}}. \quad (2.4)$$

From Eq. (2.4) and Eq. (1.1), we can get

$$\bar{u}_{\bar{t}} + \frac{f(t)}{R(t)}\bar{u}^n\bar{u}_{\bar{x}} + \frac{g(t)}{R(t)}\bar{u}^{2n}\bar{u}_{\bar{x}} + (\bar{u}^k(\bar{u}^m)_{\bar{x}\bar{x}})_{\bar{x}} = 0. \quad (2.5)$$

Equation (2.5) is an equation with constant coefficients, if and only if, $f(t) = a R(t)$ and $g(t) = b R(t)$. Hence, Eq. (2.5) becomes

$$\bar{u}_{\bar{t}} + a\bar{u}^n\bar{u}_{\bar{x}} + b\bar{u}^{2n}\bar{u}_{\bar{x}} + (\bar{u}^k(\bar{u}^m)_{\bar{x}\bar{x}})_{\bar{x}} = 0. \quad (2.6)$$

□

3. Solutions of the variable coefficients Eq. (1.1)

In this section, we obtain solutions of the variable coefficients Eq. (1.1) by solving the constant coefficients Eq. (2.6).

Consider the transformation given in [1, 6]:

$$\bar{u}(\bar{x}, \bar{t}) = y(z), \quad z = \alpha\bar{x} - \omega\bar{t}. \quad (3.1)$$

Accordingly, Eq. (2.6) becomes,

$$(-\omega + a \alpha y^n + b \alpha y^{2n}) \frac{dy}{dz} + \alpha^3 \frac{d}{dz} \left(y^k \frac{d^2 y^m}{dz^2} \right) = 0. \quad (3.2)$$

Integrating Eq. (3.2), we get,

$$-\omega y + \frac{a\alpha}{n+1} y^{n+1} + \frac{b\alpha}{2n+1} y^{2n+1} + \alpha^3 y^k \frac{d^2 y^m}{dz^2} = c_1, \quad (3.3)$$

where c_1 is a constant. Multiplying Eq. (3.3) by $my^{m-k-1}y'$, we obtain

$$-\omega m y^{m-k} y' + \frac{a\alpha}{n+1} m y^{m+n-k} y' + \frac{b\alpha}{2n+1} m y^{m+2n-k} y' + \alpha^3 m y^{m-1} y' \frac{d^2 y^m}{dz^2} = c_1 m y^{m-k-1} y'.$$

Integrating above equation, we obtain,

$$y'(z)^2 = \frac{2c_1}{\alpha^3 m(m-k)} y^{-k-m+2} + \frac{2c_2}{\alpha^3 m^2} y^{2-2m} + \frac{2}{\alpha^3 m} y^{-k-m+3} \\ \times \left(\frac{\omega}{-k+m+1} - \frac{a\alpha}{(n+1)(-k+m+n+1)} y^n - \frac{\alpha b}{(2n+1)(-k+m+2n+1)} y^{2n} \right), \quad (3.4)$$

where c_2 is a constant. Equation (3.4) has the following solutions.

- For $k = 1 - m$, $n = m$ and $c_1 = 0$ and letting

$$y = H(z)^{\frac{1}{m}}, \quad (3.5)$$

Eq. (3.4) becomes

$$(H')^2 = \frac{2c_2}{\alpha^3} + \frac{\omega}{\alpha^3} H^2 - \frac{2a}{3(1+m)\alpha^2} H^3 - \frac{b}{2(1+2m)\alpha^2} H^4. \quad (3.6)$$

Equation (3.6) has many solutions as mentioned in [2, 5, 16, 22]. One of the solutions is

$$H(z) = \frac{3\omega(1+m)}{2a\alpha} + \frac{3\omega\gamma(1+m)}{a\alpha\sqrt{4\gamma^2-2}} \operatorname{cn} \left(\frac{\sqrt{\omega}}{\alpha\sqrt{2\alpha-4\alpha\gamma^2}} z, \gamma \right), \quad (3.7)$$

with

$$c_2 = \frac{-9\omega^3(1+m)^2}{32a^2\alpha^2(1-2\gamma^2)^2}, \quad b = -\frac{2\alpha a^2(1+2m)}{9\omega(1+m)^2},$$

where cn is the Jacobi elliptic cosine function.

Substituting Eq. (3.7) into Eq. (3.5), we obtain

$$y = \left(\frac{3\omega(1+m)}{2a\alpha} + \frac{3\omega\gamma(1+m)}{a\alpha\sqrt{4\gamma^2-2}} \operatorname{cn} \left(\frac{\sqrt{\omega}}{\alpha\sqrt{2\alpha-4\alpha\gamma^2}} z, \gamma \right) \right)^{\frac{1}{m}}. \quad (3.8)$$

Substituting Eq. (3.8) into Eq. (3.1), we obtain

$$\bar{u}(\bar{x}, \bar{t}) = \left(\frac{3\omega(1+m)}{2a\alpha} + \frac{3\omega\gamma(1+m)}{a\alpha\sqrt{4\gamma^2-2}} \operatorname{cn} \left(\frac{\sqrt{\omega}(\alpha\bar{x} - \omega\bar{t})}{\alpha\sqrt{2\alpha-4\alpha\gamma^2}}, \gamma \right) \right)^{\frac{1}{m}}.$$

Eventually, the solution of Eq. (1.1) can be expressed as

$$u(x, t) = \left(\frac{3\omega(1+m)}{2a\alpha} + \frac{3\omega\gamma(1+m)}{\alpha\alpha\sqrt{4\gamma^2-2}} \operatorname{cn} \left(\frac{\sqrt{\omega} (\alpha x - \omega \int R(t)dt)}{\alpha\sqrt{2\alpha-4\alpha\gamma^2}}, \gamma \right) \right)^{\frac{1}{m}}. \quad (3.9)$$

When $\gamma = 1$, solution (3.9) degenerates to

$$u(x, t) = \left(\frac{3\omega(1+m)}{2a\alpha} + \frac{3\omega(1+m)}{\alpha\alpha\sqrt{2}} \operatorname{sech} \left(\frac{\sqrt{\omega} (\alpha x - \omega \int R(t)dt)}{\alpha\sqrt{-2\alpha}} \right) \right)^{\frac{1}{m}}. \quad (3.10)$$

For $a < 0$ and $m > 0$, we obtain bright soliton solutions. For $a > 0$ and $m < 0$, we obtain dark soliton solutions.

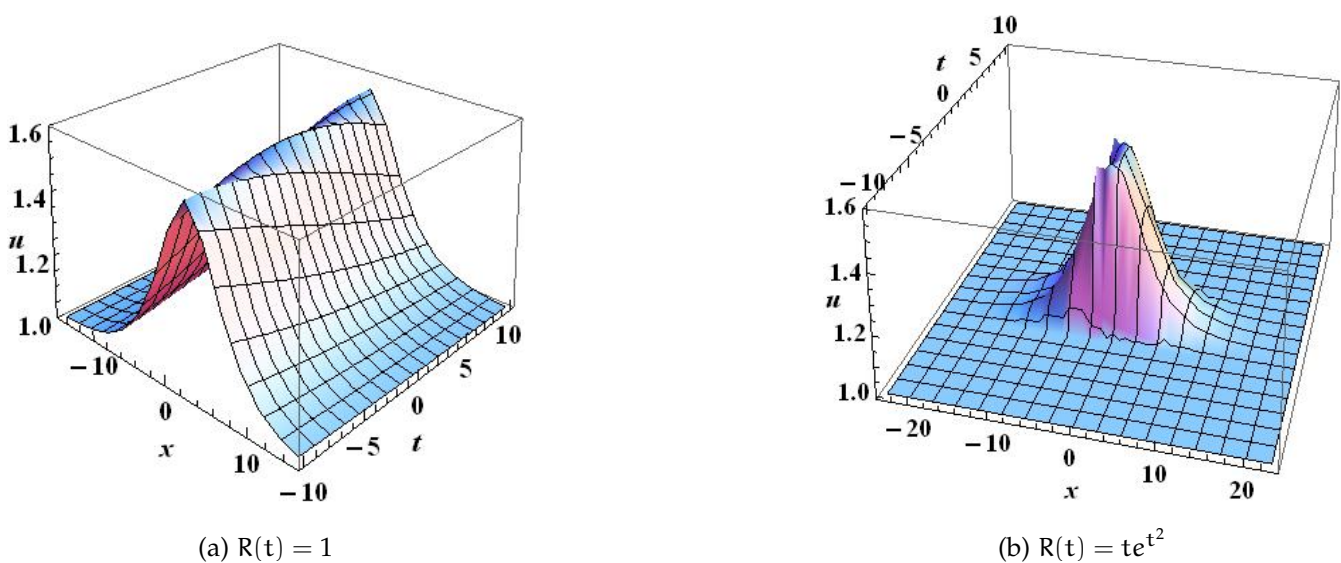


Figure 1: Solution (3.10) when $\omega = 1, \alpha = -\frac{9}{2}, m = 2, a = -1$, and different forms of $R(t)$.

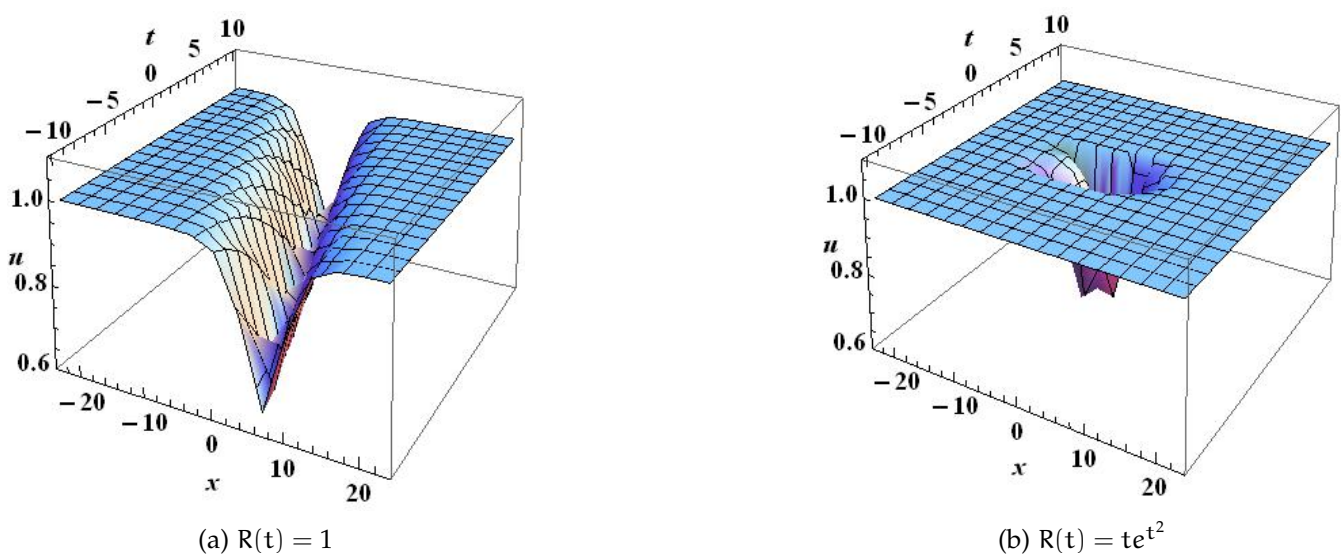


Figure 2: Solution (3.10) when $\omega = 1, \alpha = -\frac{3}{2}, a = 1, m = -2$, and different forms of $R(t)$.

From Figures 1 and 2, it is clear that we can retrieve bright solitons, bright rogue waves, dark solitons, and dark rogue waves from solution (3.10) according to the values of ω , α , a , m , and $R(t)$.

Also, Eq. (3.6) has the following solution

$$H(z) = \frac{3\omega(1+m)}{2a\alpha} + \frac{3\omega\gamma(1+m)}{\alpha\alpha\sqrt{2\gamma^2+2}} \operatorname{sn}\left(\frac{\sqrt{\omega}}{\alpha\sqrt{2\alpha+2\alpha\gamma^2}}z, \gamma\right), \quad (3.11)$$

with

$$c_2 = \frac{-9\omega^3(1+m)^2(1-\gamma^2)^2}{32a^2\alpha^2(1+\gamma^2)^2}, \quad b = -\frac{2\alpha a^2(1+2m)}{9\omega(1+m)^2},$$

where sn is the Jacobi elliptic sine function.

Substituting Eq. (3.11) into Eq. (3.5), we get

$$y = \left(\frac{3\omega(1+m)}{2a\alpha} + \frac{3\omega\gamma(1+m)}{\alpha\alpha\sqrt{2\gamma^2+2}} \operatorname{sn}\left(\frac{\sqrt{\omega}}{\alpha\sqrt{2\alpha+2\alpha\gamma^2}}z, \gamma\right) \right)^{\frac{1}{m}}. \quad (3.12)$$

From Eqs. (3.12) and (3.1), we can get

$$\bar{u}(\bar{x}, \bar{t}) = \left(\frac{3\omega(1+m)}{2a\alpha} + \frac{3\omega\gamma(1+m)}{\alpha\alpha\sqrt{2\gamma^2+2}} \operatorname{sn}\left(\frac{\sqrt{\omega}(\alpha\bar{x} - \omega\bar{t})}{\alpha\sqrt{2\alpha+2\alpha\gamma^2}}, \gamma\right) \right)^{\frac{1}{m}}.$$

Eventually, the solution of Eq. (1.1) can be expressed as

$$u(x, t) = \left(\frac{3\omega(1+m)}{2a\alpha} + \frac{3\omega\gamma(1+m)}{\alpha\alpha\sqrt{2\gamma^2+2}} \operatorname{sn}\left(\frac{\sqrt{\omega}(\alpha x - \omega \int R(t)dt)}{\alpha\sqrt{2\alpha+2\alpha\gamma^2}}, \gamma\right) \right)^{\frac{1}{m}}. \quad (3.13)$$

When $\gamma = 1$, solution (3.13) degenerates to

$$u(x, t) = \left(\frac{3\omega(1+m)}{2a\alpha} + \frac{3\omega(1+m)}{2a\alpha} \operatorname{tanh}\left(\frac{\sqrt{\omega}(\alpha x - \omega \int R(t)dt)}{2\alpha\sqrt{\alpha}}\right) \right)^{\frac{1}{m}}. \quad (3.14)$$

• For $k = 1 - m$, $n = 2m$, and $c_1 = 0$ and letting

$$y = G(z)^{\frac{-1}{2m}}, \quad (3.15)$$

substituting Eq. (3.15) into Eq. (3.4), we get

$$G'(z)^2 = -\frac{4b}{3\alpha^2(4m+1)} - \frac{2a}{\alpha^2(2m+1)}G(z) + \frac{4\omega}{\alpha^3}G(z)^2 + \frac{8c_2}{\alpha^3}G(z)^3. \quad (3.16)$$

Many solutions of Eq. (3.16) are mentioned in [2, 5, 16, 22]. One of them is

$$G(z) = \frac{\alpha\alpha(\omega + \alpha^3(1-2\gamma^2)\beta_3^2)}{2(1+2m)(\omega^2 - \alpha^6(1-\gamma^2 + \gamma^4)\beta_3^4)} + \beta_2 \operatorname{cn}^2(\beta_3 z, \gamma), \quad (3.17)$$

with

$$\beta_2 = \frac{3\alpha\alpha^4\gamma^2\beta_3^2}{2(1+2m)(\omega^2 - \alpha^6(1-\gamma^2 + \gamma^4)\beta_3^4)},$$

$$c_2 = \frac{(1 + 2m)(-\omega^2 + \alpha^6(1 - \gamma^2 + \gamma^4)\beta_3^4)}{3\alpha\alpha},$$

$$b = \frac{\alpha^2(1 + 4m)\alpha(-\omega^3 + 3\alpha^6(1 - \gamma^2 + \gamma^4)\omega\beta_3^4 + \alpha^9(2 - 3\gamma^2 - 3\gamma^4 + 2\gamma^6)\beta_3^6)}{4(1 + 2m)^2(\omega^2 - \alpha^6(1 - \gamma^2 + \gamma^4)\beta_3^4)^2},$$

where β_3 is an arbitrary constant. Substituting Eq. (3.17) into Eq. (3.15), we get

$$y = \left(\frac{\alpha\alpha(\omega + \alpha^3(1 - 2\gamma^2)\beta_3^2)}{2(1 + 2m)(\omega^2 - \alpha^6(1 - \gamma^2 + \gamma^4)\beta_3^4)} + \beta_2 \operatorname{cn}^2(\beta_3 z, \gamma) \right)^{\frac{-1}{2m}}. \tag{3.18}$$

From Eq. (3.18) and Eq. (3.1), we can get

$$\bar{u}(\bar{x}, \bar{t}) = \left(\frac{\alpha\alpha(\omega + \alpha^3(1 - 2\gamma^2)\beta_3^2)}{2(1 + 2m)(\omega^2 - \alpha^6(1 - \gamma^2 + \gamma^4)\beta_3^4)} + \beta_2 \operatorname{cn}^2(\beta_3(\alpha\bar{x} - \omega\bar{t}), \gamma) \right)^{\frac{-1}{2m}}.$$

Using Eq. (2.2), we obtain

$$u(x, t) = \left(\frac{\alpha\alpha(\omega + \alpha^3(1 - 2\gamma^2)\beta_3^2)}{2(1 + 2m)(\omega^2 - \alpha^6(1 - \gamma^2 + \gamma^4)\beta_3^4)} + \beta_2 \operatorname{cn}^2\left(\beta_3\left(\alpha x - \omega \int R(t) dt\right), \gamma\right) \right)^{\frac{-1}{2m}}. \tag{3.19}$$

When $\gamma = 1$, the solution (3.19) degenerates to

$$u(x, t) = \left(\frac{\operatorname{aff}}{2(2m + 1)(\alpha^3\beta_3^2 + \omega)} + \frac{3\alpha\alpha^4\beta_3^2}{2(1 + 2m)(\omega^2 - \alpha^6\beta_3^4)} \operatorname{sech}^2\left(\beta_3\left(\alpha x - \omega \int R(t) dt\right)\right) \right)^{\frac{-1}{2m}}. \tag{3.20}$$

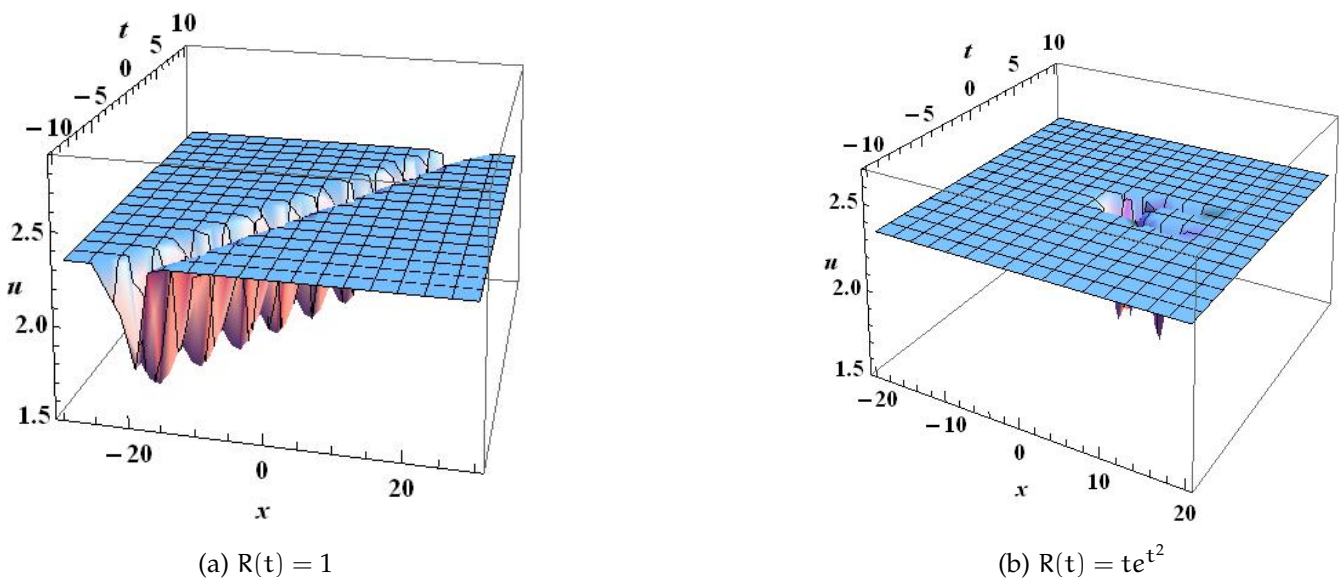
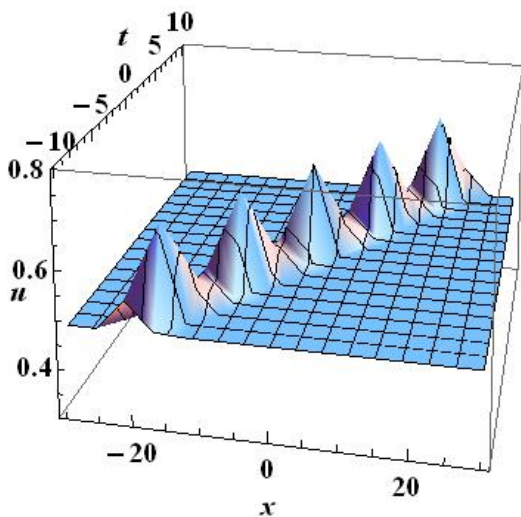


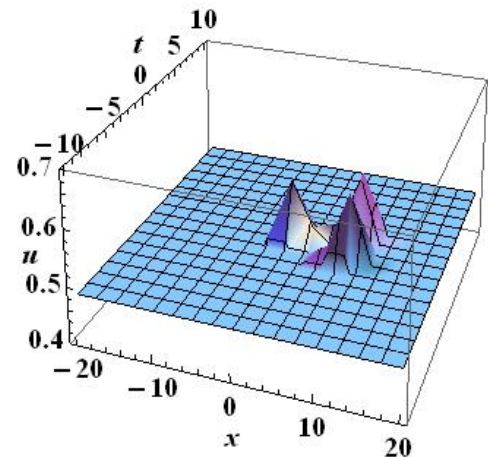
Figure 3: Solution (3.20) when $\beta_3 = \alpha = a = 1, m = \omega = 2$, and different forms of $R(t)$.

From Figures 3 and 4, it is clear that we can retrieve bright solitons, bright rogue waves, dark solitons, and dark rogue waves from solution (3.20) according to the values of $\omega, \beta_3, \alpha, a, m$, and $R(t)$. Also, Eq. (3.16) has the following solution

$$G(z) = \frac{\alpha\alpha(\omega + \alpha^3(1 + \gamma^2)\beta_3^2)}{2(1 + 2m)(\omega^2 - \alpha^6(1 - \gamma^2 + \gamma^4)\beta_3^4)} + \beta_2 \operatorname{sn}^2(\beta_3 z, \gamma), \tag{3.21}$$



(a) $R(t) = 1$



(b) $R(t) = te^{t^2}$

Figure 4: Solution (3.20) when $\beta_3 = \alpha = 1, a = -1, m = -2, \omega = 2$, and different forms of $R(t)$.

with

$$\begin{aligned} \beta_2 &= \frac{3\alpha\alpha^4\gamma^2\beta_3^2}{2(1+2m)(-\omega^2 + \alpha^6(1-\gamma^2 + \gamma^4)\beta_3^4)}, \\ c_2 &= \frac{(1+2m)(-\omega^2 + \alpha^6(1-\gamma^2 + \gamma^4)\beta_3^4)}{3\alpha}, \\ b &= \frac{\alpha^2(1+4m)\alpha(-\omega^3 + 3\alpha^6(1-\gamma^2 + \gamma^4)\omega\beta_3^4 + \alpha^9(2-3\gamma^2-3\gamma^4+2\gamma^6)\beta_3^6)}{4(1+2m)^2(\omega^2 - \alpha^6(1-\gamma^2 + \gamma^4)\beta_3^4)^2}, \end{aligned}$$

where β_3 is an arbitrary constant. Substituting Eq. (3.21) into Eq. (3.15), we get

$$y = \left(\frac{\alpha\alpha(\omega + \alpha^3(1 + \gamma^2)\beta_3^2)}{2(1+2m)(\omega^2 - \alpha^6(1-\gamma^2 + \gamma^4)\beta_3^4)} + \beta_2 \operatorname{sn}^2(\beta_3 z, \gamma) \right)^{\frac{-1}{2m}}. \tag{3.22}$$

From Eq. (3.22) and Eq. (3.1), we can get

$$\bar{u}(\bar{x}, \bar{t}) = \left(\frac{\alpha\alpha(\omega + \alpha^3(1 + \gamma^2)\beta_3^2)}{2(1+2m)(\omega^2 - \alpha^6(1-\gamma^2 + \gamma^4)\beta_3^4)} + \beta_2 \operatorname{sn}^2(\beta_3(\alpha\bar{x} - \omega\bar{t}), \gamma) \right)^{\frac{-1}{2m}}.$$

Using Eq. (2.2), we obtain

$$u(x, t) = \left(\frac{\alpha\alpha(\omega + \alpha^3(1 + \gamma^2)\beta_3^2)}{2(1+2m)(\omega^2 - \alpha^6(1-\gamma^2 + \gamma^4)\beta_3^4)} + \beta_2 \operatorname{sn}^2\left(\beta_3\left(\alpha x - \omega \int R(t) dt\right), \gamma\right) \right)^{\frac{-1}{2m}}. \tag{3.23}$$

When $\gamma = 1$, the solution (3.23) degenerates to

$$u(x, t) = \left(\frac{\alpha\alpha(\omega + \alpha^3(1 + \gamma^2)\beta_3^2)}{2(1+2m)(\omega^2 - \alpha^6(1-\gamma^2 + \gamma^4)\beta_3^4)} + \beta_2 \operatorname{tanh}^2\left(\beta_3\left(\alpha x - \omega \int R(t) dt\right)\right) \right)^{\frac{-1}{2m}}. \tag{3.24}$$

• For $k = 1 - m$, $c_1 = c_2 = 0$, Eq. (3.4) becomes

$$(y')^2 = \frac{-b}{\alpha^2 m (2n + 1) (m + n)} y^2 \left(\frac{a (2n + 1) (m + n)}{b (n + 1) (2m + n)} + y^n \right)^2, \tag{3.25}$$

with the constraint

$$\omega = -\frac{a^2 m (m + n) (1 + 2n) \alpha}{b (1 + n)^2 (2m + n)^2},$$

(3.25) has the solution

$$y = \left(\frac{a (2n + 1) (m + n)}{2b (n + 1) (2m + n)} \tanh \left(\frac{an\sqrt{2n+1}\sqrt{m+n}}{2\alpha (n+1)\sqrt{-bm}(2m+n)} z \right) - \frac{a (2n + 1) (m + n)}{2b (n + 1) (2m + n)} \right)^{\frac{1}{n}}. \tag{3.26}$$

From Eq. (3.26) and Eq. (3.1), we can get

$$\bar{u}(\bar{x}, \bar{t}) = \left(\frac{a (2n + 1) (m + n)}{2b (n + 1) (2m + n)} \tanh \left(\frac{an\sqrt{2n+1}\sqrt{m+n}}{2\alpha (n+1)\sqrt{-bm}(2m+n)} (\alpha\bar{x} - \omega\bar{t}) \right) - \frac{a (2n + 1) (m + n)}{2b (n + 1) (2m + n)} \right)^{\frac{1}{n}}.$$

Using Eq. (2.2), we obtain

$$u(x, t) = \left(\frac{a (2n + 1) (m + n)}{2b (n + 1) (2m + n)} \tanh \left(\frac{an\sqrt{2n+1}\sqrt{m+n}}{2(n+1)\sqrt{-bm}(2m+n)} \right) \times \left(x + \frac{a^2 m (m + n) (1 + 2n)}{b(1 + n)^2 (2m + n)^2} \int R(t) dt \right) - \frac{a (2n + 1) (m + n)}{2b (n + 1) (2m + n)} \right)^{\frac{1}{n}}. \tag{3.27}$$

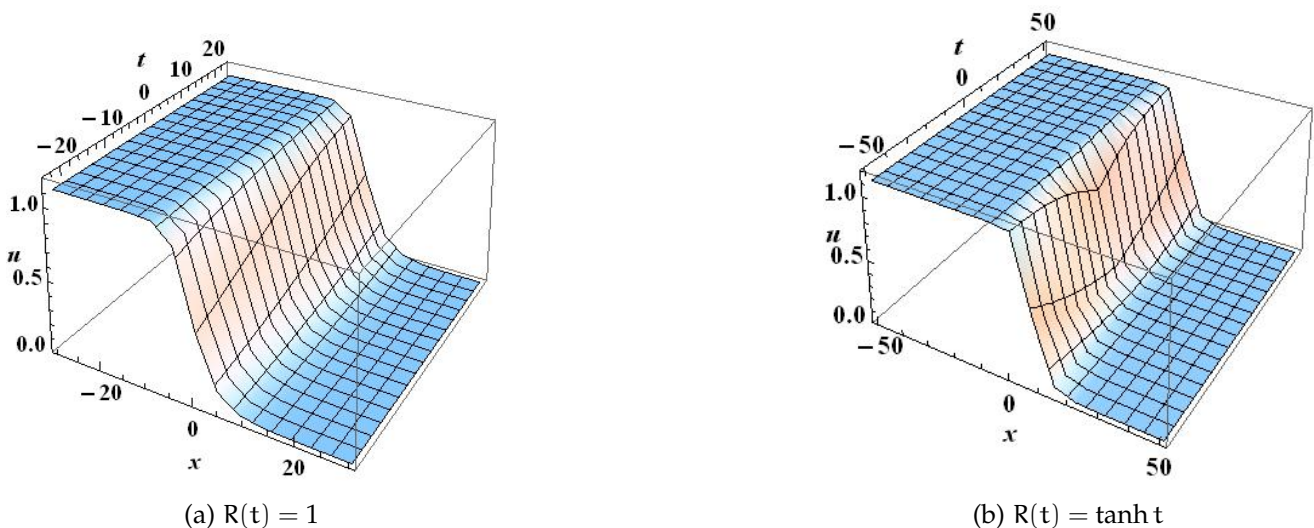


Figure 5: Solution (3.27), when $n = 2$, $m = 1$, $b = -1$, $a = 1$ and different forms of $R(t)$.

Figure 5 represents the kink wave solution (3.27).

• For $m + k = 2n + 1$, $c_1 = c_2 = 0$, letting

$$y = H(z)^{\frac{-1}{n}}, \tag{3.28}$$

and substituting Eq. (3.28) in Eq. (3.4), we get

$$H'(z)^2 = \frac{-bn^2}{\alpha^2 m^2 (2n + 1)} H(z)^2 - \frac{2an^2}{\alpha^2 m (n + 1) (2m - n)} H(z)^3 + \frac{n^2 \omega}{\alpha^3 m (m - n)} H(z)^4. \tag{3.29}$$

Equation (3.29) can be solved easily to get

$$H(z) = \frac{c^2(1+n)(2m^2 - mn)\alpha^2}{an^2} \frac{1}{1 + Be^{cz}}, \tag{3.30}$$

when

$$\omega = -\frac{a^2n^2(-m+n)}{c^2m(1+n)^2(-2m+n)^2\alpha}, \quad b = -\frac{c^2m^2(1+2n)\alpha^2}{n^2},$$

where B, c are constants. Substituting Eq. (3.30) into Eq. (3.28), we obtain

$$y = \left(\frac{c^2(1+n)(2m^2 - mn)\alpha^2}{an^2} \frac{1}{1 + Be^{cz}} \right)^{\frac{-1}{n}}. \tag{3.31}$$

From Eqs. (3.31) and (3.1), we can get

$$\bar{u}(\bar{x}, \bar{t}) = \left(\frac{c^2(1+n)(2m^2 - mn)\alpha^2}{an^2} \frac{1}{1 + Be^{c(\alpha\bar{x} - \omega\bar{t})}} \right)^{\frac{-1}{n}}.$$

Using Eq. (2.2), we obtain

$$u(x, t) = \left(\frac{c^2(1+n)(2m^2 - mn)\alpha^2}{an^2} \frac{1}{1 + \text{Bexp} \left(c \left(\alpha x + \frac{a^2n^2(-m+n)}{c^2m(1+n)^2(-2m+n)^2\alpha} \int R(t) dt \right) \right)} \right)^{\frac{-1}{n}}. \tag{3.32}$$

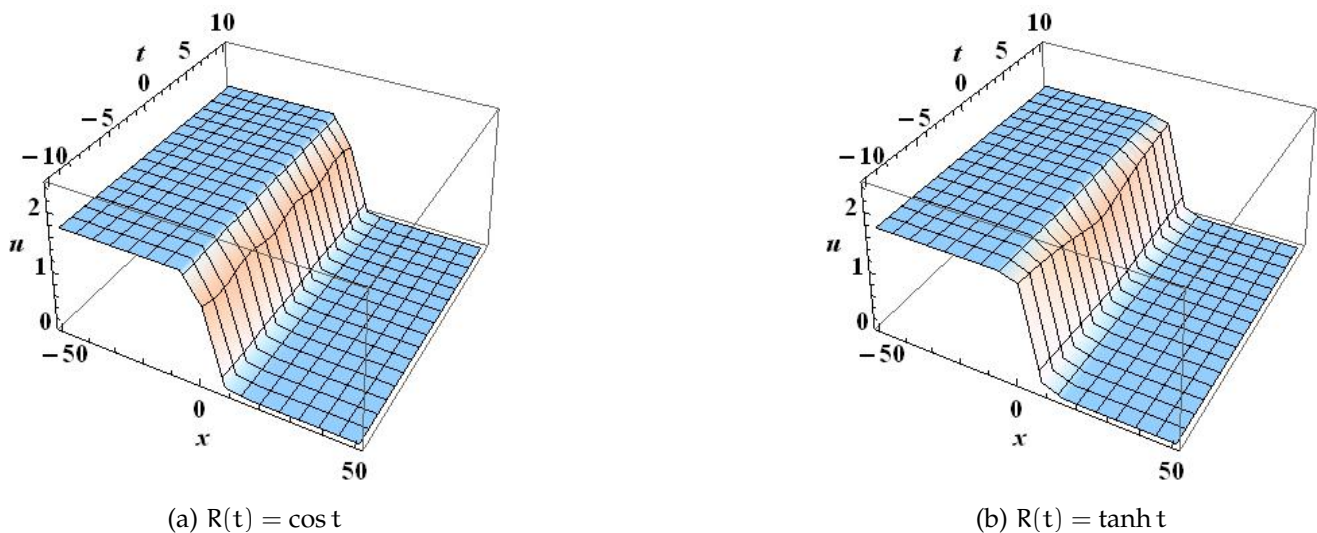


Figure 6: Solution (3.32) when $\alpha = B = c = 1, a = -1, m = 2, n = -2$ and different forms of $R(t)$.

Figure 6 represents the kink wave solution (3.32).

• For $c_1 = c_2 = 0$, Eq. (3.4) becomes

$$(y')^2 = \frac{-2b}{\alpha^2m(2n+1)(-k+m+2n+1)} y^{-k-m+3} \left(\frac{a(2n+1)(-k+m+2n+1)}{2b(n+1)(-k+m+n+1)} + y^n \right)^2, \tag{3.33}$$

with the constraint

$$\omega = \frac{a^2(1-k+m)(-1+k-m-2n)(1+2n)\alpha}{4b(1+n)^2(1-k+m+n)^2}.$$

Equation (3.33) has the implicit solution:

$$c_3 + z = \frac{2\sqrt{2}\sqrt{-bm}(1+n)(1-k+m+n)\alpha}{a(-1+k+m)\sqrt{(1+2n)(1-k+m+2n)}} y^{\frac{1}{2}(k+m-1)} \times {}_2F_1\left(1, \frac{k+m-1}{2n}; \frac{k+m-1}{2n} + 1; \frac{2b(n+1)(-k+m+n+1)y^n}{a(k-m-2n-1)(2n+1)}\right). \quad (3.34)$$

From Eqs. (3.34) and (3.1), we can get

$$c_3 + \alpha\bar{x} - \omega\bar{t} = \frac{2\sqrt{2}\sqrt{-bm}(1+n)(1-k+m+n)\alpha}{a(-1+k+m)\sqrt{(1+2n)(1-k+m+2n)}} \bar{u}^{\frac{1}{2}(k+m-1)} \times {}_2F_1\left(1, \frac{k+m-1}{2n}; \frac{k+m-1}{2n} + 1; \frac{2b(n+1)(-k+m+n+1)\bar{u}^n}{a(k-m-2n-1)(2n+1)}\right).$$

Using Eq. (2.2), we can retrieve

$$c_3 + \alpha x - \frac{\alpha^2(1-k+m)(-1+k-m-2n)(1+2n)\alpha}{4b(1+n)^2(1-k+m+n)^2} \int R(t) dt = \frac{2\sqrt{2}\sqrt{-bm}(1+n)(1-k+m+n)\alpha}{a(-1+k+m)\sqrt{(1+2n)(1-k+m+2n)}} u^{\frac{1}{2}(k+m-1)} \times {}_2F_1\left(1, \frac{k+m-1}{2n}; \frac{k+m-1}{2n} + 1; \frac{2b(n+1)(-k+m+n+1)u^n}{a(k-m-2n-1)(2n+1)}\right). \quad (3.35)$$

In case of $m+k=n+1$, the implicit solution (3.35) becomes

$$u(x, t) = \left(\frac{\alpha(2n+1)(-2m-n)}{4bm(n+1)} \tanh^2\left(\frac{\sqrt{\alpha n}}{2\sqrt{2}\alpha m\sqrt{n+1}}\right) \times \left(-\frac{\alpha\alpha^2(2n+1)(2m-n)(2m+n)}{16bm^2(n+1)^2} \int R(t) dt + c_3 + \alpha x \right) \right)^{\frac{1}{n}}. \quad (3.36)$$

4. Conclusions

In this paper, using the transformation (2.2), the variable coefficients generalized KdV equation (1.1) is transformed into the constant coefficients KdV equation (2.1). Then we used the traveling wave transformation (3.1) to investigate the exact solutions of the KdV equation (2.1). We have obtained some new solutions for Eq. (2.1) that are not reported in [20]. The new obtained solutions are given by Eq. (3.10) and Eq. (3.14) when $k=1-m$, $n=m$, Eq. (3.20) and Eq. (3.24) when $k=1-m$, $n=2m$, Eq. (3.27), when $k=1-m$, $c_1=c_2=0$, Eq. (3.32) $k+m=2n+1$, $c_1=c_2=0$ and Eq. (3.35) for arbitrary n , m and k . Using the function $R(t)$ we can get many types of solutions for Eq. (1.1). Some of these types are bright solitons (Figure 1 (a) and Figure 4 (a)), dark solitons (Figure 2 (a) and Figure 3 (a)), bright rogue wave solution (Figure 1 (b) and Figure 4 (b)), dark rogue wave solution (Figure 2 (b) and Figure 3 (b)), and kink solution (Figures 5 and 6). To our knowledge, the obtained solutions in this paper for Eq. (1.1) are new.

Acknowledgments

The research is supported by the Deanship of Scientific Research, Prince Sattam Bin Abdulaziz University, Alkharj, Saudi Arabia.

The authors are thankful to the unanimous reviewers for their valuable comments and the Editorial team of JMCS for their support in bringing this article in the present form.

References

- [1] A. H. Abdel Kader, M. S. Abdel Latif, *New soliton solutions of the CH–DP equation using Lie symmetry method*, *Modern Phys. Lett. B*, **32** (2018), 9 pages. 3
- [2] A. H. Abdel Kader, M. S. Abdel Latif, *New bright and dark soliton solutions for a generalized nonlinear Schrödinger equation*, *Optik*, **176** (2019), 699–703. 3, 3
- [3] M. S. Abdel Latif, A. H. Abdel Kader, D. Baleanu, *The invariant subspace method for solving nonlinear fractional partial differential equations with generalized fractional derivatives*, *Adv. Difference Equ.*, **2020** (2020), 13 pages. 1
- [4] A. H. Abdel Kader, M. S. Abdel Latif, D. Baleanu, *Some exact solutions of a variable coefficients fractional biological population model*, *Math. Methods Appl. Sci.*, **44** (2021), 4701–4714. 1
- [5] A. H. Abdel Kader, M. S. Abdel Latif, F. E. Bialy, A. Elsaied, *Symmetry analysis and some new exact solutions of some nonlinear KdV-like equations*, *Asian-Eur. J. Math.*, **11** (2018), 14 pages. 3, 3
- [6] A. H. Abdel Kader, M. S. Abdel Latif, H. M. Nour, *Some New Exact Solutions of the Modified KdV Equation Using Lie Point Symmetry Method*, *Int. J. Appl. Comput. Math.*, **3** (2017), 1163–1171. 3
- [7] M. S. Abdel Latif, E. El-Shazly, D. Baleanu, A. Elsaied, H. M. Nour, *Some new soliton-like and doubly periodic-like solutions of Fisher equation with time-dependent coefficients*, *Modern Phys. Lett. B*, **32** (2018), 12 pages. 1
- [8] M. S. Abdel Latif, E. El-Shazly, A. Elsaied, H. M. Nour, *Group classification and some new periodic-like and soliton-like solutions of the generalised Fisher equation with time-variable coefficients*, *Int. J. Dyn. Syst. Differ. Equ.*, **8** (2018), 313–325. 1
- [9] S. Ahmad, A. Ullah, A. Akgül, M. De la Sen, *A novel homotopy perturbation method with applications to nonlinear fractional order KdV and Burger equation with exponential-decay kernel*, *J. Funct. Space*, **2021** (2021), 11 pages. 1
- [10] A. Akgül, A. Kılıçman, M. Inc, *Improved (G'/G)-Expansion Method for the Space and Time Fractional Foam Drainage and KdV Equations*, *Abstr. Appl. Anal.*, **2013** (2013), 7 pages. 1
- [11] D. J. Arrigo, *Symmetry Analysis of Differential Equations*, John Wiley & Sons, Hoboken, (2015). 1
- [12] M. I. Asjad, H. Ur Rehman, Z. Ishfaq, J. Awrejcewicz, A. Akgül, M. B. Riaz, *On Soliton Solutions of Perturbed Boussinesq and KdV-Caudery-Dodd-Gibbon Equations*, *Coatings*, **11** (2021), 14 pages.
- [13] M. Ekici, D. Duran, A. Sonmezoglu, *Constructing of exact solutions to the (2 + 1)-dimensional breaking soliton equations by the multiple (G'/G)-expansion method*, *J. Adv. Math. Stud.*, **7** (2014), 27–44. 1
- [14] F. El-Bialy, M. S. Abdel Latif, A. Elsaied, *Symmetry analysis and some new exact solutions of the (2 + 1)-dimensional Burgers equations*, *Acta Phys. Polon. B*, **48** (2017), 2031–2043. 1
- [15] M. S. Hashemi, Z. Balmeh, A. Akgül, E. K. Akgül, D. Baleanu, *Invariant investigation on the system of Hirota-Satsuma coupled KdV equation*, *AIP Conference Proc.*, **1978** (2018), 13 pages. 1
- [16] B. J. Hong, D. C. Lu, *New exact solutions for the generalized variable-coefficient Gardner equation with forcing term*, *Appl. Math. Comput.*, **219** (2012), 2732–2738. 3, 3
- [17] M. Inc, A. Akgül, A. A. Kılıçman, *A novel method for solving KdV equation based on reproducing kernel Hilbert space method*, *Abstr. Appl. Anal.*, **2013** (2013), 11 pages. 1
- [18] H. Jafari, J. G. Prasad, P. Goswami, R. S. Dubey, *Solution of the local fractional generalized KDV equation using homotopy analysis method*, *Fractals*, **29** (2021), 10 pages. 1
- [19] H. Jafari, H. G. Sun, M. Azadi, *Lie symmetry reductions and conservation laws for fractional order coupled KdV system*, *Adv. Difference Equ.*, **2020** (2020), 10 pages. 1
- [20] L. Li, Y. Xie, S. Zhu, *New exact solutions for a generalized KdV equation*, *Nonlinear Dyn.*, **92** (2018), 215–219. 1, 1, 4
- [21] S. Zhang, *A generalized new auxiliary equation method and its application to the (2 + 1)-dimensional breaking soliton equations*, *Appl. Math. Comput.*, **190** (2007), 510–516.
- [22] L.-H. Zhang, L.-H. Dong, L.-M. Yan, *Construction of non-travelling wave solutions for the generalized variable-coefficient Gardner equation*, *Appl. Math. Comput.*, **203** (2008), 784–791. 3, 3
- [23] S. Zhang, W. Li, F. Zheng, J. H. Yu, M. Ji, Z. Y. Lau, C. Z. Ma, *A Generalized F-expansion Method and its Application to (2 + 1)-dimensional Breaking Soliton Equations*, *Int. J. Nonlinear Sci.*, **5** (2008), 25–32. 1